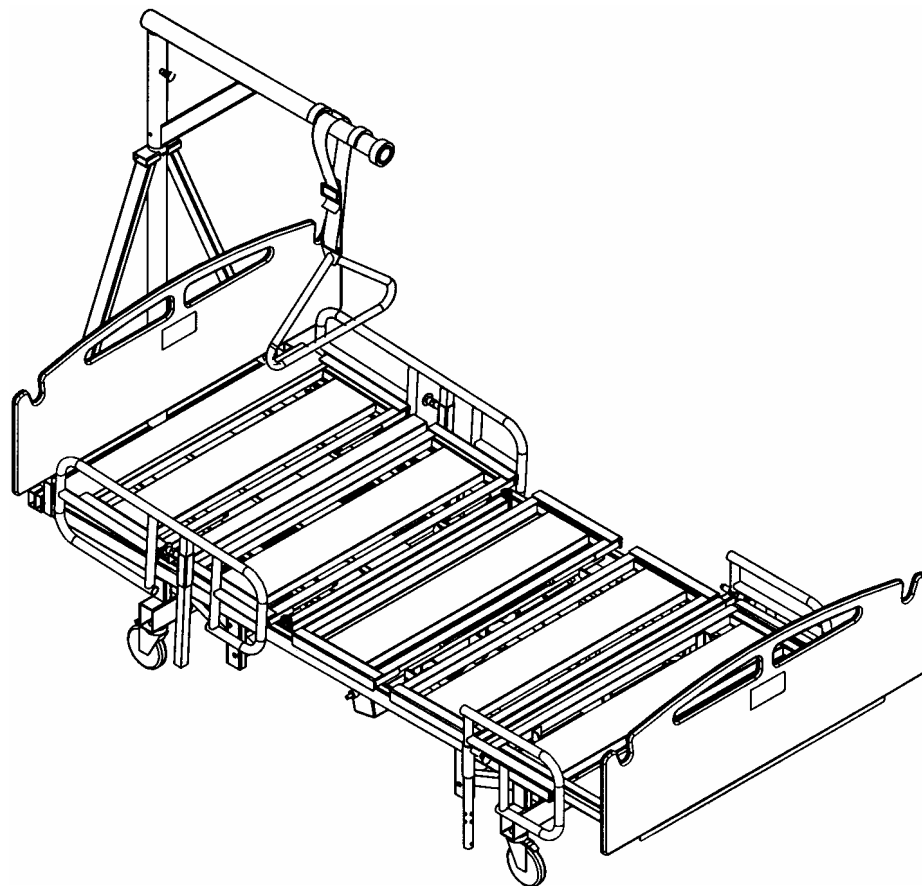


# BARTON BARIATRIC BED

Model g1000

1000 lb. Capacity

## Owner's Operation Manual with Warranty



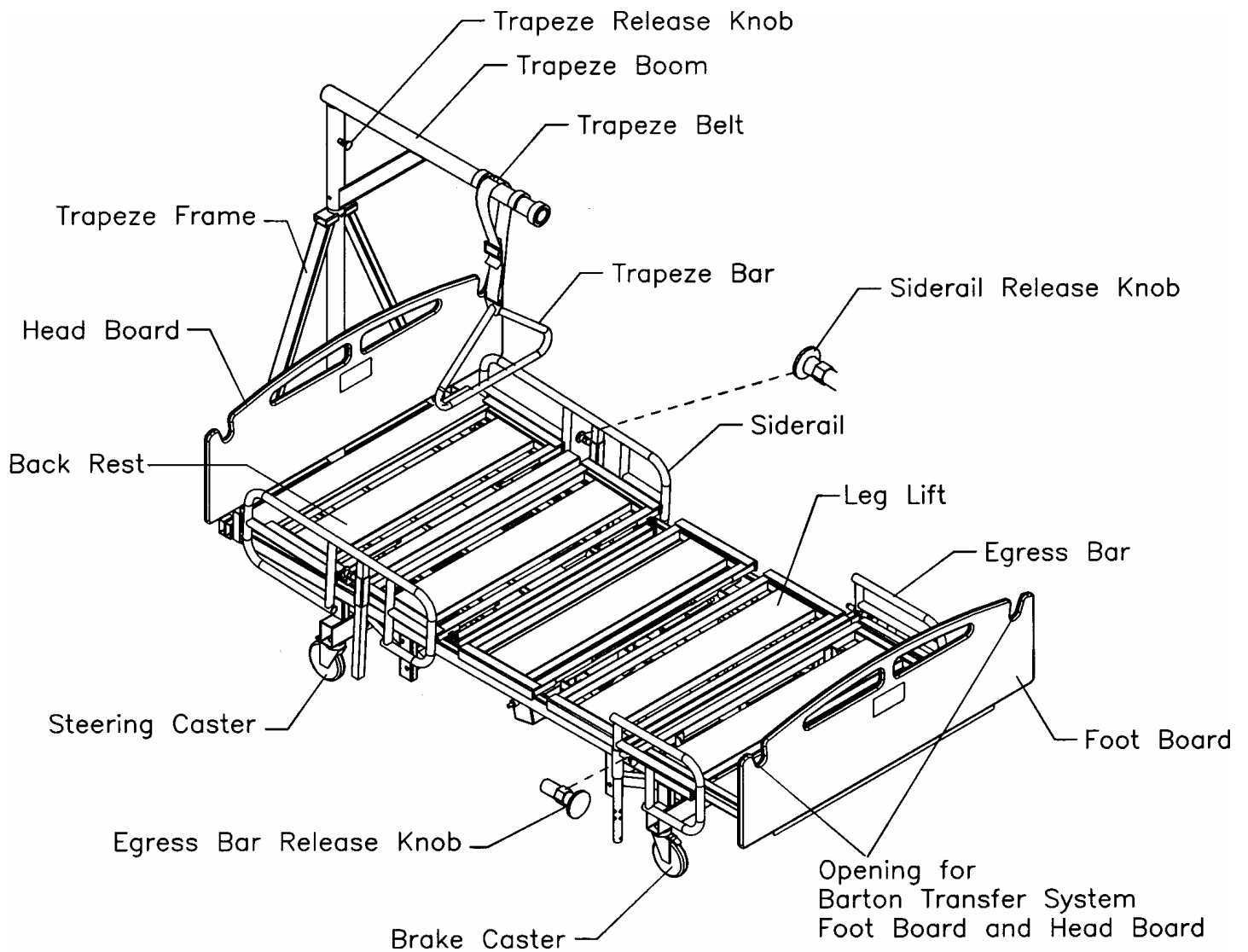
Barton Medical Corporation  
5725 Hwy 290 West, Suite 103  
Austin, TX 78735

Rev 07/05

# Contents

PARTS LIST	2
SAFETY NOTES (WARNINGS AND CAUTIONS)	3
- WEIGHT LIMIT	4
- PINCH POINTS	4
- POWER REQUIREMENTS	4
INTENDED USE & PRODUCT DESCRIPTION	5
FUNCTION & BASIC OPERATION	6
ASSEMBLY INSTRUCTIONS	7
TRAPEZE ASSEMBLY	8
PINCH POINTS (ILLUSTRATION)	8
OPERATING THE BED	9
SIDERAILS, EGRESS BAR & BED WIDTH ADJUSTMENT	11
ACTUATORS, CONTROL & HANDSET	12
TROUBLE SHOOTING	13
CLEANING & MAINTENANCE	14
SPECIFICATIONS	15
WARRANTY	16

## Parts List



Parts not shown:  
Weighing Scale  
See Scale Kit Manual FG1235  
for operating instructions,  
parts list, and schematic

## Safety Notes



### Warnings and Cautions

You must heed the following warnings and cautions. Failure to observe these safety precautions may result in personal injury or mechanical failure. Read all instructions carefully before using the bed.

- Always lock all casters and align parallel to bed frame before use. (pg. 10)
- Take special care to lock the casters securely when reclining or inclining the bed or when transferring the patient to or from the bed.
- Place bed in a prone (horizontal) position when transferring the patient to or from the bed.
- Do not confuse the head end and foot end of the bed when placing the patient in the prone position.
- Always raise the siderails whenever the patient is lying on the bed in the prone position.
- Make sure release pins are fully engaged before using siderails and egress bars.(pg.11)
- The mattress should be sufficiently wide enough to prevent any part of the patient's body from falling between the side rails and the mattress.
- Do not allow the patient to sit on the bed when it is in the highest prone position. Lower the bed before allowing patient to sit on the bed. Never sit or lean on the head or foot end of bed.
- The Trendelenburg position should only be attempted when the patient has been secured in the bed with both siderails up.
- Do not move the bed using the siderail.
- Do not jump up and down on the mattress.
- Do not use a bed with any missing or damaged parts.
- Be sure foot extension release pins are locked into position before lowering foot section.
- Never disassemble or remodel the Barton Bariatric Bed. If problems arise, contact Barton Medical or your authorized Barton Medical dealership.

## Safety Notes



### Warnings and Cautions

You must heed the following warnings and cautions. Failure to observe these safety precautions may result in personal injury or mechanical failure. Read all instructions carefully before using the bed.

- **Weight Limit** - Never exceed the weight limit of 1,000 pounds combined weight of user and items on bed. Exceeding weight limit may cause bed to fail.
- **Pinch Points** – Be aware of moving, telescoping, and rotating parts when positioning the bed. Watch for pinch points (pg. 8). Keep fingers, arms, legs, and objects clear of bed when any mechanism is in motion. Make sure all persons and objects are clear of the bed when raising or lowering the bed. Do not place arms or head into the frame while operating.
- Keep all objects out from under the bed. Certain parts under the bed raise and lower when the bed is in motion. Make sure there is nothing under the bed to interfere with proper bed operations. This area must be kept clear.
- **Power Requirements** - Electrical hazard may occur if device is plugged into inadequate power supply. A power source of 115 VAC 60 Hertz with a capacity of 15 Amperes must be available to operate the bed. A three wire grounded receptacle must be supplied. A GFCI is recommended. (Max Current Drawn by the bed is 9 Amperes.)
- **Battery Back-up:** The system's battery automatically charges when the power cord is plugged into an electric outlet. If electrical power is lost, the battery maintains a charge to allow the bed to be operated. However, if the power is off and the bed is operated for an extended time, the battery will lose its charge, the actuators will not function and the bed cannot be lowered.
- Do not service this device without first unplugging the power cord. Bed may articulate even with power cord unplugged, because of battery backup.
- Make sure the cord from the control module and the cord from the handset are clear of casters before operating and do not allow either of these cords to get caught in the moving members of the bed.
- Do not operate this device if the power cord or any of the cords between the control module and the associated parts are cut, frayed or loosely connected.

## Intended Use & Product Description

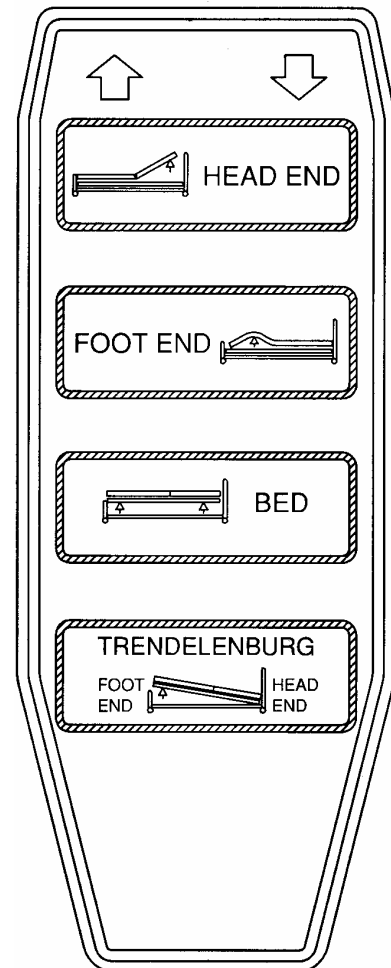
- The Barton Bariatric 5-Function Bed is designed for up to 1,000 pound load capacity (combined weight of user and items on bed). The bed is ideal for short term use in clinics, hospitals, and rehab centers; and for long term use in nursing care centers. Product is intended for all age groups with varying medical and physical conditions.
- Power functions: Five functions are powered by 24-volt DC electric actuators;
  1. raise and lower head
  2. leg and foot lift
  3. elevate bed height
  4. trendelenburg
  5. reverse trendelenburg
- Electrical Power: 115 volt AC power with transformer converts system to 24-volt DC. Electrical actuators, handset, control module, and battery backup meet CE, UL & CSA listing. Three-prong hospital plug: Grounding meets NFPA standards.
- Construction: Constructed entirely of metal, solid frame, powder coated.
- Expandable frame allows the bed to accommodate either 39 inch or 48 inch wide mattress. With the appropriately designed mattress (39" or 48") you can adjust the bed surface so as to allow it to fit through a 42-inch door opening.(pg.11)
- Siderails on head end are three position, drop down, with minimum transfer gap.
- Egress Bars on the foot end are adjustable vertically and/or can be rotated for a handhold to aid patient in exiting and entering bed.(pg.11)
- Casters: Five-inch casters. Two individual lock type (foot end) and two steer type (head end).
- Accessory sockets: One IV socket and two square sockets on each corner.
- Transfer device: Openings in Polypropylene headboard and footboard to mount Barton transfer bar.
- Trapeze: Over bed trapeze mounts to head of bed, easy four bolt assembly.
- Weigh Scale: 1000 lbs. capacity.
- Delivery: Bed will collapse to about 85" long x 39" wide.
- Mattress not included, a 39" or 48" wide appropriately designed mattress for frame configuration should be used.

## Function & Basic Operation

**Five Function Operation:** 8 button, 5 function handset is used to control the positioning of the bed.

The bed contains (4) electric drive actuators; one for the backrest, one for the knee/leg lift, one Hi/Lo for head end of the bed and one Hi/Lo for the foot end of the bed. Supplied with the bed is a battery that can be used to adjust the bed in case of power failure.

- **HEAD UP ↑ and HEAD DOWN ↓** buttons raise and lower backrest (head end)
- **The FOOT UP ↑ and FOOT DOWN ↓** buttons raise and lower knee and leg sections
- **The BED UP ↑ and BED DOWN ↓** buttons raise and lower the bed
- **TRENDELENBURG UP ↑** button raises foot end and lowers head end of bed maximum angle is about 16 degrees
- **REVERSE TRENDELENBURG DOWN ↓** button raises head end and lowers foot end of bed maximum angle is about 16 degrees



## Assembly Instructions

1. The Control Module is located under the bed. The power cord should stay under the mattress pan and bed frame, away from the mattress.
2. Install the headboard posts in the inward most sockets, located at the head end, with the board closest to the mattress.
3. Install the footboard posts in the inward most sockets, located at the foot end with the board furthest away from the mattress.
4. If the Bed is a model that has a Weigh Scale, mount the readout on the footboard with the bracket. Connect the cable from the bed to the readout. Cable connector has 6 prongs. Make sure the cable is properly connected to the readout.
5. The trapeze installs at the head end of the bed. (pg. 8)
6. Plug the power cord into a 115 volt grounded socket with a capacity of at least 15 amperes.
7. Using the handset, cycle the bed through all of its operations. Make sure that everyone (including yourself) is clear of the bed during these operations.
8. When you are satisfied that the bed is operating properly, instruct all personnel who may be involved in the bed operation.

**Warning! Perform the following checks before using the bed.**

1. Do a careful walk around inspection of the bed. Look under the bed to make sure nothing is stored there.
2. Casters must be locked (individual lock type and steering control type) rotate steering casters until they lock in place. (pg. 9 & 10)
3. Siderails slide up and down properly. (pg. 11)
4. All power bed operations work smoothly and stop in any desired position. (pg. 6)
5. Trapeze must be secured to frame with mounting hardware and the boom must be locked in position, check that release knob is snapped into place. (pg. 8)
6. Power Cord must be clear of casters, as they may move during articulation.

If problems are found, contact Barton Medical at 1-877-8BARTON (1-877-822-7866) or your authorized Barton Medical dealership.

## Trapeze Assembly & Pinch Points

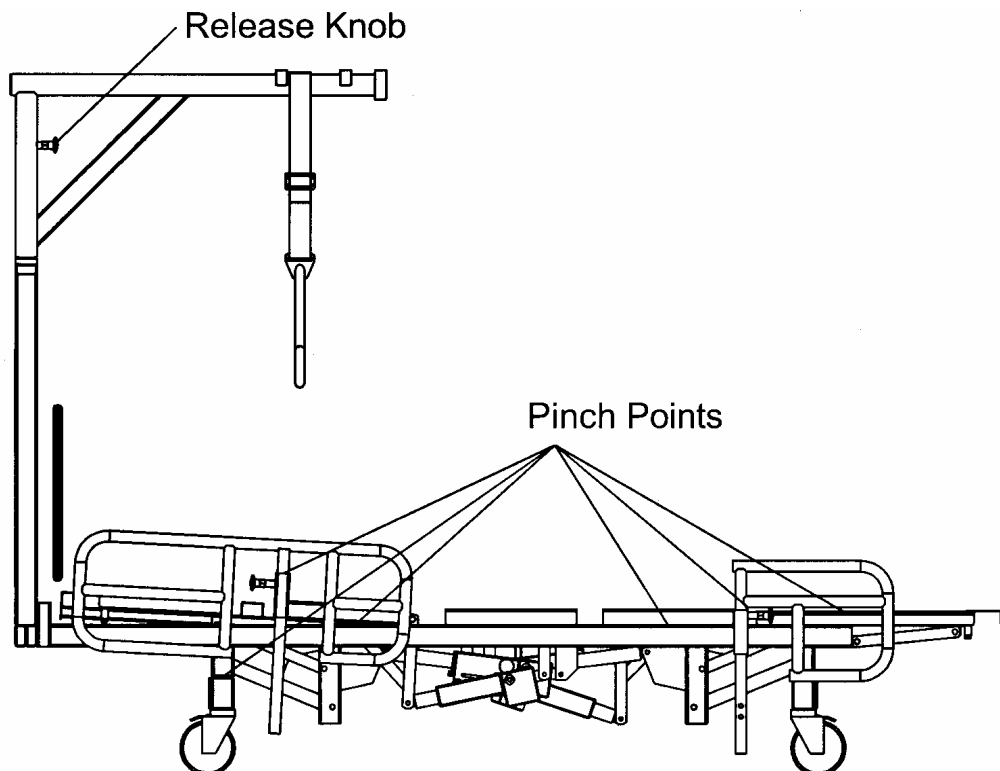
### Trapeze Mount Instructions:

- Set the frame in upright position.
- Slide lower trapeze frame (1"x 2" tubes) into Bed frame mounting area.
- Mount to frame with (4) 3/8-16 x 3" bolts, use locking style nuts to secure.
- Slide the boom over trapeze frame as shown and secure with Release Knob.
- Slide the trapeze bar and strap assembly over boom and adjust to desired height.



#### Warning

Failure to set up properly may result in damage to the trapeze and cause personal injury to the user and/or attendant.



#### Warning, Watch for Pinch points

Keep fingers, arms, legs, and objects clear of bed when any mechanism is in motion. Make sure all persons and objects are clear of the bed when raising or lowering.

## Operating the bed

### Steering the bed

The Barton Bariatric Bed g1000 can be steered in two modes, with the steering locked or with all four casters able to move independently. The two casters on the head end are the “steer” control type.

#### Head end: Using the steering lock function

The steering lock function allows you to easily steer the bed in a straight line.

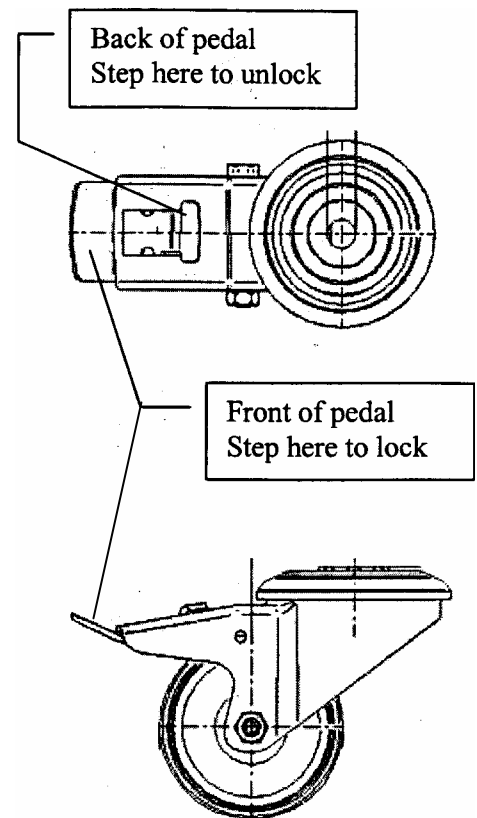
At the head end of the bed, step down on the front of either caster pedal until it clicks, then move the bed in a straight line about 3 feet backward or forward to the lock. This action will keep the caster from swiveling and allow better forward and backward movement. The bed can now be moved with greater stability. Do not lock the other caster.

#### Using the 4-caster free function

In the 4-caster free mode, all four casters move independently, allowing the bed to be easily brought alongside a stretcher.

In this mode all four casters are unlocked.

To ensure the casters are unlocked, step down on the back of the control pedal of each caster.



#### Warning

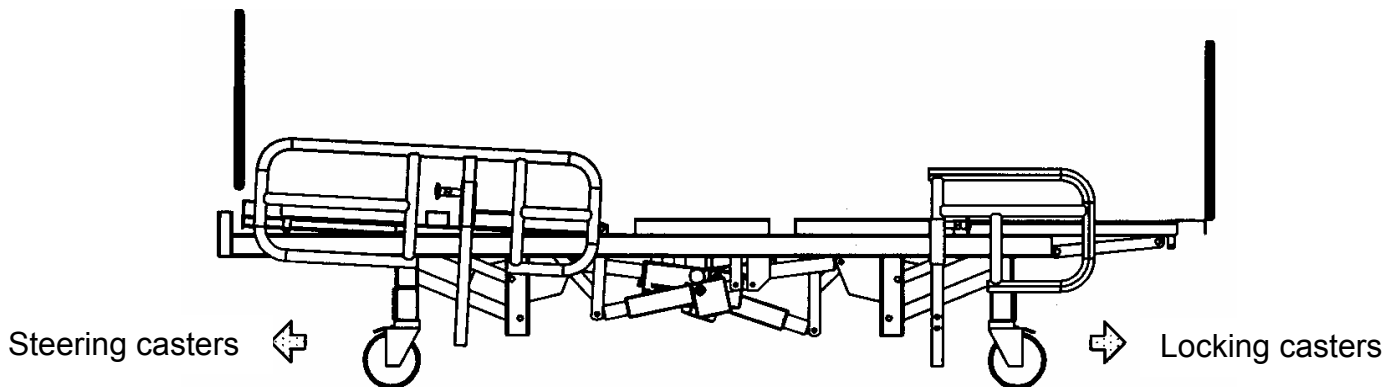
When setting the casters free by unlocking the caster control pedal, do not put your finger in the square opening in the pedal.

Do not use the 4-caster free mode when moving a patient across an incline. The bed may roll down the incline and injury may occur.

## Operating the bed

### Locking the Casters

The locking function holds the bed motionless when the bed is parked. Lock all casters when transferring the patient to and from a bed. Casters are the individually locking type. For stability when parking the bed, the casters should be positioned as shown below.



### CAUTION

The caster lock is not designed to stop a bed that is in motion. Do not operate the caster control pedal while moving the bed, otherwise an injury or accident may occur.

**Steering casters** - step down on the front of the caster control pedal until it clicks, then move the bed in a straight line about 3 feet backward or forward to set the lock.

**Locking casters** - step down on the front of the caster control pedal on each individual lock type caster until it clicks into place, ensuring each one is fully down. This locks both the caster swivel and the wheel rotation on the footboard end casters.

To unlock the casters, step down on the back of the control pedal on each individual caster until the lock releases.

### Upright Back Position

The Backrest stops at any angle between the prone (horizontal) position and an upright position of about 48 degrees.



### Warning

Before operating the backrest always ensure that the casters are locked. Otherwise the bed may begin to move during the elevating or reclining operation and injury or accident may occur.

## Operating the bed

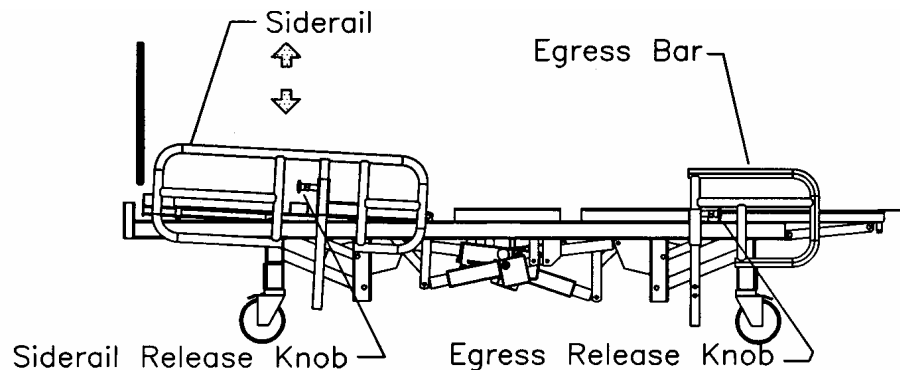
**Siderails** - are located at the head end on each side of the bed.

**Egress Bars** - are located at the foot end on each side of the bed.

Siderails and egress bars have a 3-position vertical adjustment.

- To raise or lower, grab top section of siderail/egress bar with one hand while pulling the Release Knob with the other hand. Pull side rail up or down as required. Allow the Release Knob to spring back into locked position.

Egress bars can also be rotated 90° outward to serve as a grab bar to aid in exiting and entering the bed. Rotate egress bar by using the release knob as described above to set the egress bar at the desired height and rotation.

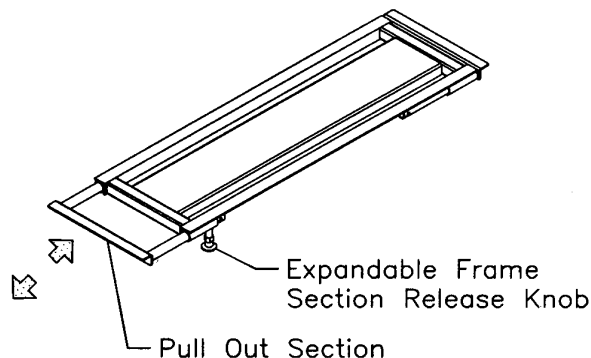


### Warning

When adjusting siderails be sure path is clear and make sure siderails and egress bars are securely locked into new position, otherwise an injury or accident may occur.

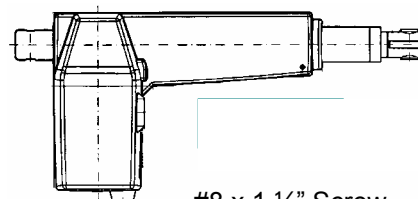
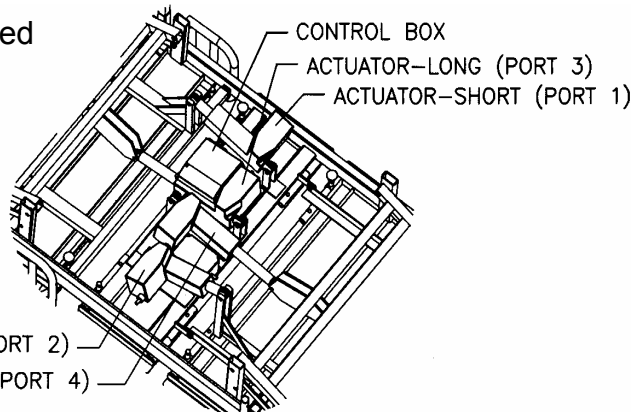
**Expandable Frame Sections** - There are four expandable frame sections on each side of bed to increase and decrease bed width to 39" or 48". There is a Release Knob under each section.

- To increase bed width, pull Release Knob down and at the same time pull section out away from the bed about 4 ½". Repeat procedure on all sections.
- To reduce width, pull Release Knob down and at the same time push each section in.

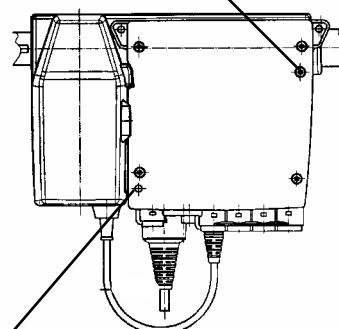


# Actuators, Control, Handset

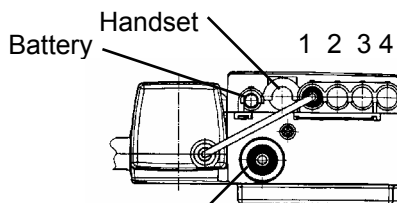
Bottom view of bed



#8 x 1 1/2" Screw



Green Power-on Light  
Glowes when Power Cord is  
Plugged into 115V outlet



Power Cord with Green Ground Wire

## CONTROL BOX

### GROUND WIRE

Green ground wire from power cord to bed frame. Secure with screw and star washer

## Trouble Shooting Guide

### **SOLUTION**

Check green "power on" light on control module.  
Check that power cord is plugged into receptacle.  
Check for power to receptacle.  
Check that handset is plugged into control module.  
Check cords for breaks.  
Replace handset.  
Replace control module.

#### Isolate the Problem

Check wiring between control module and actuator.  
Interchange connections on control module so that problem actuator is plugged into a connection on the control module that is working satisfactorily.  
If actuator does not work, replace actuator.  
If problem actuator now operates "OK" but the other actuator now has a problem:  
    Replace Handset.  
    Replace Control Module.

Check wiring between control module and battery.  
Replace battery.

See Scale Kit Manual FG1235.

Lock casters.

Lubricate slides with light grease

## Cleaning and Maintenance

**WARNING:**

Before cleaning any portion of the bed, disconnect the power cord from the wall outlet.

Before using any cleaning product, test it on the underside of the bed. Never use any volatile fluid (thinner, gasoline, etc.) that could cause discoloration or deterioration. Do not use a power washer to clean bed.

**CLEANING**

Use mild soap and water or a nonabrasive hospital-grade detergent disinfectant to clean the bed. Wet a cloth with the cleaning product and wring dry. Then gently wipe off the bed.

**PERIODIC INSPECTION AND MAINTENANCE**

The amount of maintenance required by the bed will be dictated by its use. As a minimum, the unit should be inspected every six months.

1. After a week or two of usage, check all the bolts to be sure that none of them have worked loose and that all pins are in their normal location and securely fastened. Check all welds.
2. Lubricate all slides and pivot points with light grease every 6 months.
3. Check all electrical connections for tightness.
4. Check all electrical wiring for any frays, kinks and or deterioration.

**ANY DISCREPANCIES NOTED DURING INSPECTION MUST BE CORRECTED BEFORE USING THE BED.**

## Specifications

**Product name: Barton Bariatric Bed**  
**Model: g1000**

---

### Dimensions:

Overall width	52" Bed will collapse to 39" (with bed sections and siderails slid in) to pass through a 42" doorway in the event of evacuation
Overall Length	96" with headboard and footboard installed
Mattress Pan Width	Adjusts from 39" to 48" with sliding width extenders
Mattress Pan Length	86" to 90"
Mattress Pan Height	Above floor, adjusts from 15-1/2" to 30"
Weight	440 Pounds without Trapeze
Back angle	0 to 48 degrees
Trendelenburg angle	0 to 16 degrees
Reverse	0 to 16 degrees

Note:  
All Dimensions are approximate.

# Warranty

**PLEASE NOTE: The warranty below has been drafted to comply with Federal Law applicable to products manufactured after July 4, 1975.**

This warranty is extended only to the original purchaser/user of our products.

This warranty gives you specific legal rights and you may also have other legal rights, which vary from state to state.

Barton Medical warrants the bed frame to be free from defects in materials and workmanship for a period of three (3) years from date of purchase. Wear items including, but not limited to: casters, actuators, control, pendent, release cable, release knob, scale, and trapeze are warranted to be free of defects in material and workmanship for a period of one (1) year. If within such warranty period any such products shall be proven to be defective, such product shall be repaired or replaced, at Barton Medical's option. This warranty does not include any labor or shipping charges incurred in replacement part installation or repair of any such product. Barton Medical's sole obligation and your exclusive remedy under this warranty shall be limited to such repair and/or replacement.

For warranty service please contact Barton Medical. Do not return products without our prior consent.

## LIMITS AND EXCLUSIONS

The foregoing warranty shall not apply to:

- Serial numbered products, if the serial number has been removed or defaced;
- Products subjected to negligence, accident, or improper operation, maintenance, or storage;
- Products modified without Barton Medical's express written consent including, but not limited to, modification through the use of unauthorized parts or attachments;
- Products damaged in shipping. It is the responsibility of the customer to inspect the delivery upon arrival. Should damage exist, report it immediately to the carrier. The carrier will be responsible for repairing or replacing the product. Failure to report these damages upon delivery could result in a loss to the customer;
- Products damaged by reason of repairs made to any component without the specific consent of Barton Medical; Problems arising from normal wear or failure to adhere to these instructions; or to
- Products damaged by circumstances beyond Barton Medical's control. Such evaluation will be solely determined by Barton Medical.

**The foregoing warranty is exclusive and in lieu of all other express warranties.**

**Implied warranties, if any, including the implied warranties of merchantability and fitness for a particular purpose, shall not extend beyond the duration of the expressed warranty provided herein and the remedy for violations of any implied warranty shall be limited to repair or replacement of the defective product pursuant to the terms contained herein. Barton Medical shall not be liable for any consequential or incidental damages whatsoever.**

**This warranty shall be extended to comply with state/provincial laws and requirements.**

**Barton Medical Corporation**  
5725 Hwy.290 West, Suite 103, Austin Texas 78735  
Tel: 512-476-7199, 1-877-8BARTON, (1-877-822-7866)  
Fax: 512-476-7190  
E-mail: [info@bartonmedical.com](mailto:info@bartonmedical.com)  
[www.bartonmedical.com](http://www.bartonmedical.com)